

American Radio Supply
AmericanRadioSupply.com

ZONE		REVISIONS			
		REV	DESCRIPTION	DATE	APPROVED

3S 180°	5S 180°	5S2 240°	6S 240°	7S 270°	8S 270°

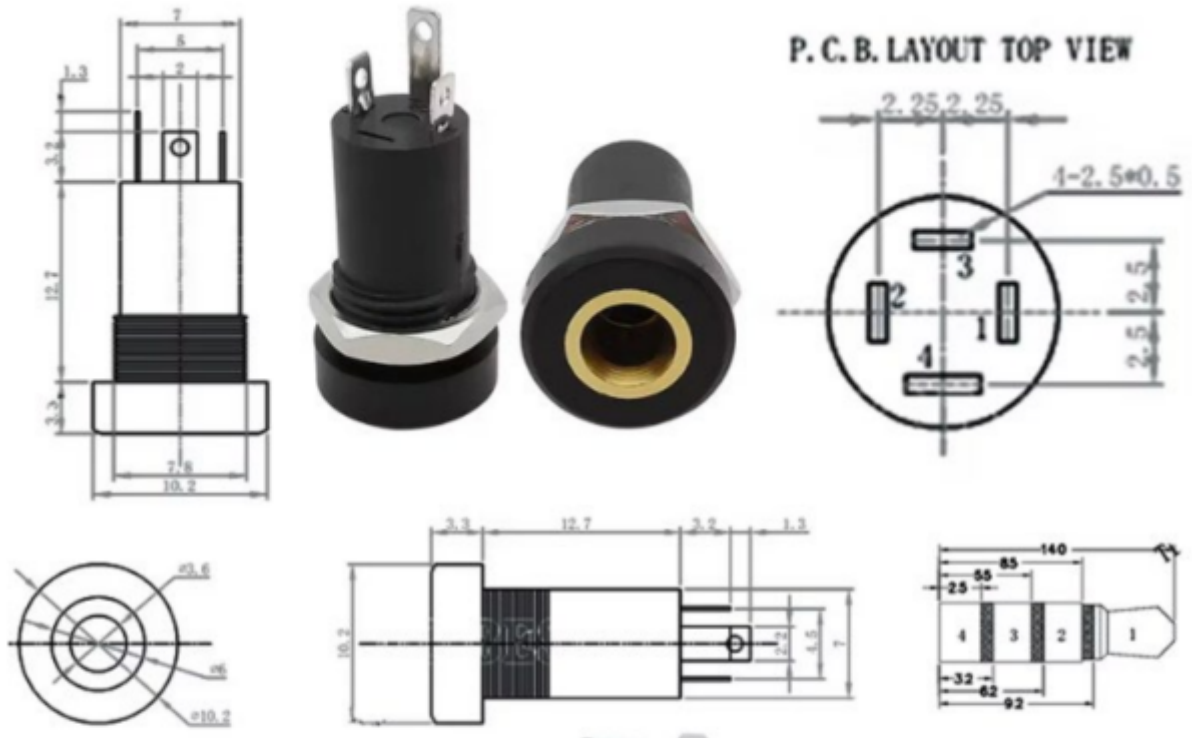
(X) : DENOTES NUMBER OF CONTACT POSITION

SPECIFICATIONS :

1. CONTACT RESISTANCE : 20m OHM MAX.
2. INSULATION RESISTANCE : 300m OHM MIN. AT DC 500V. -
3. VOLTAGE WITHSTANDING : AC 1000V FOR ONE MIN.
4. INSERTION FORCE : 4.0KG MAX.
5. WITHDRAWAL FORCE : 1-3.5KG.

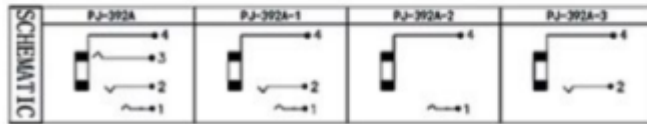
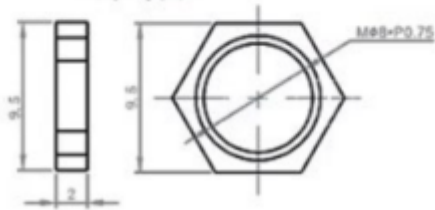
BY	DATE		PAN PACIFIC ENTERPRISES CO.,INC
DRAWN	01/16/02		
CHK'D	01/22/02	PART NO DIN-54000-(X)S	
APPRV			
MATERIAL	SEE NOTES	UNITS	mm
FINISH	SEE NOTES	SCALE	NONE

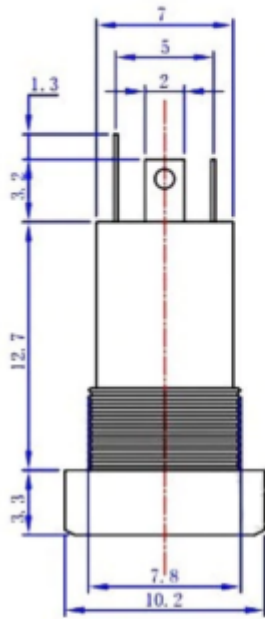
SHEET 1 OF 1



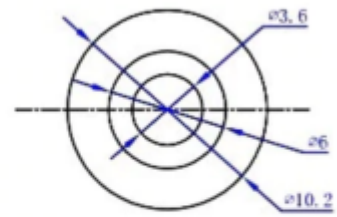
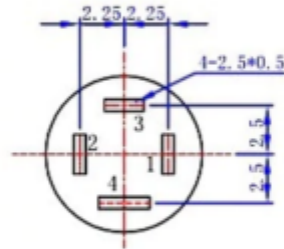
PJ392A

螺帽

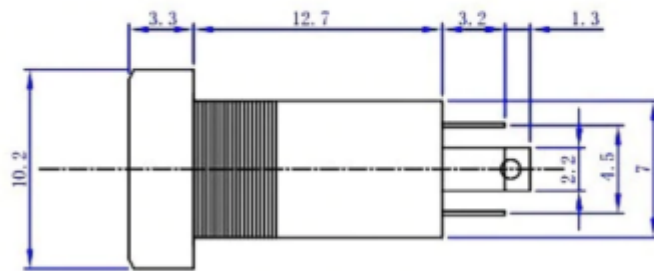
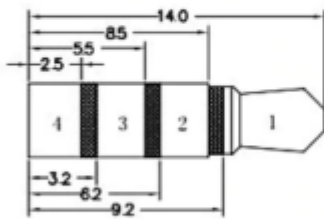
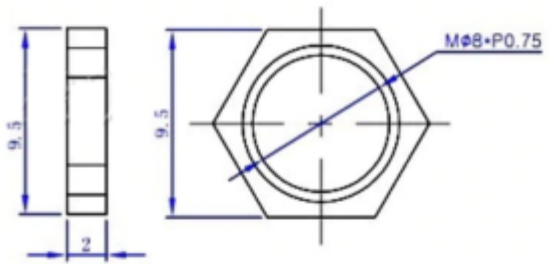


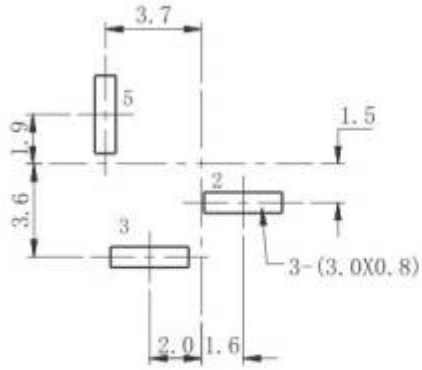


P. C. B. LAYOUT TOP VIEW

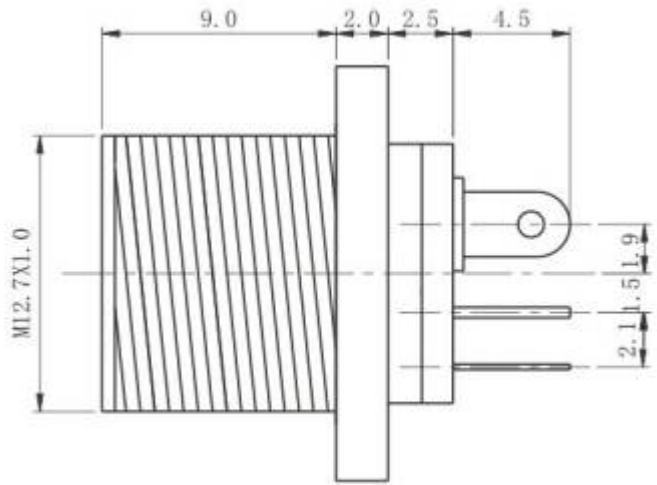
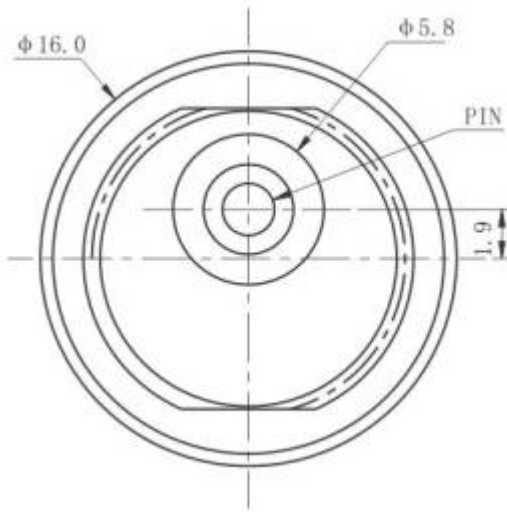


Nut





PIN	φ2.0	φ2.5
APPD		



From: <https://kornequipped.com/mywiki/> - KornEquipped

Permanent link: https://kornequipped.com/mywiki/doku.php?id=tayda_pinouts&rev=1779477194

Last update: 2026/05/22 19:13

