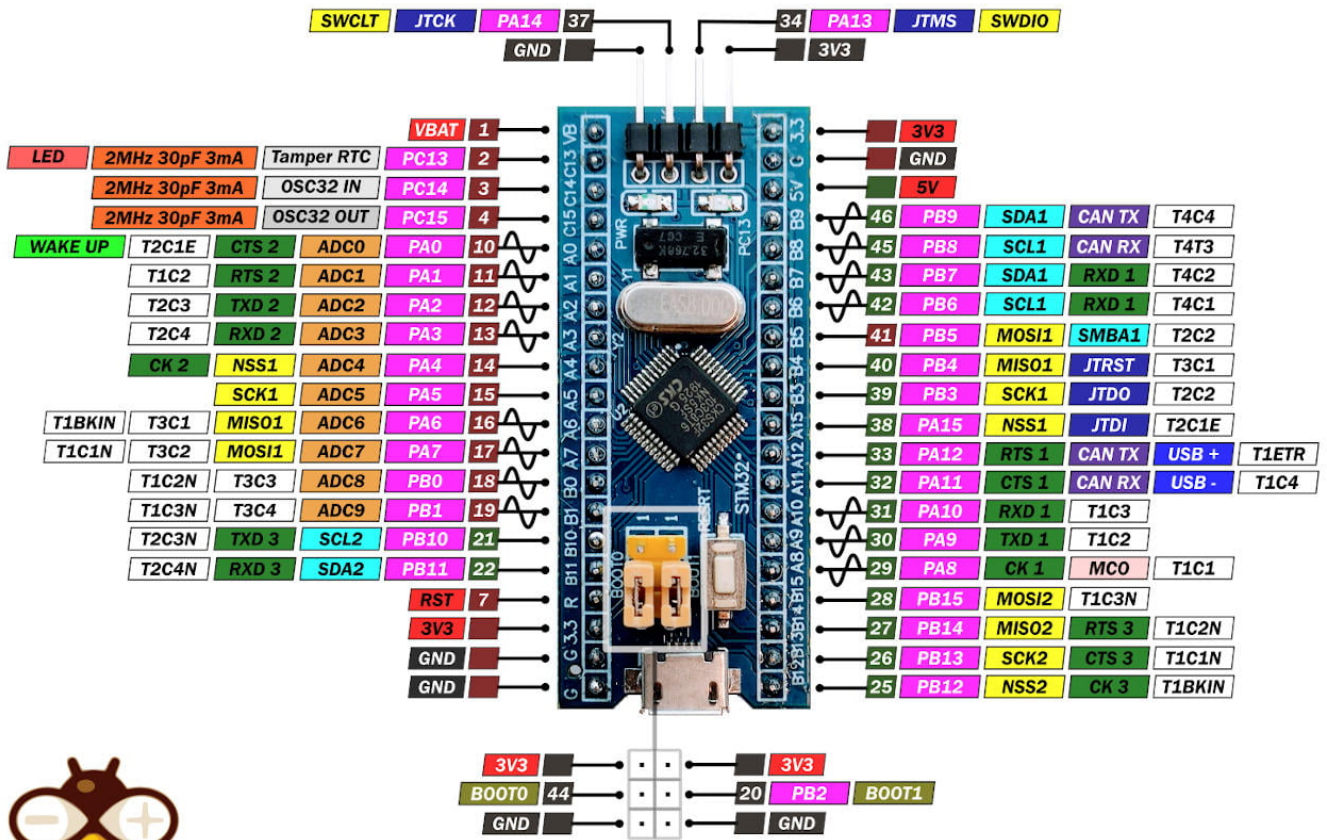


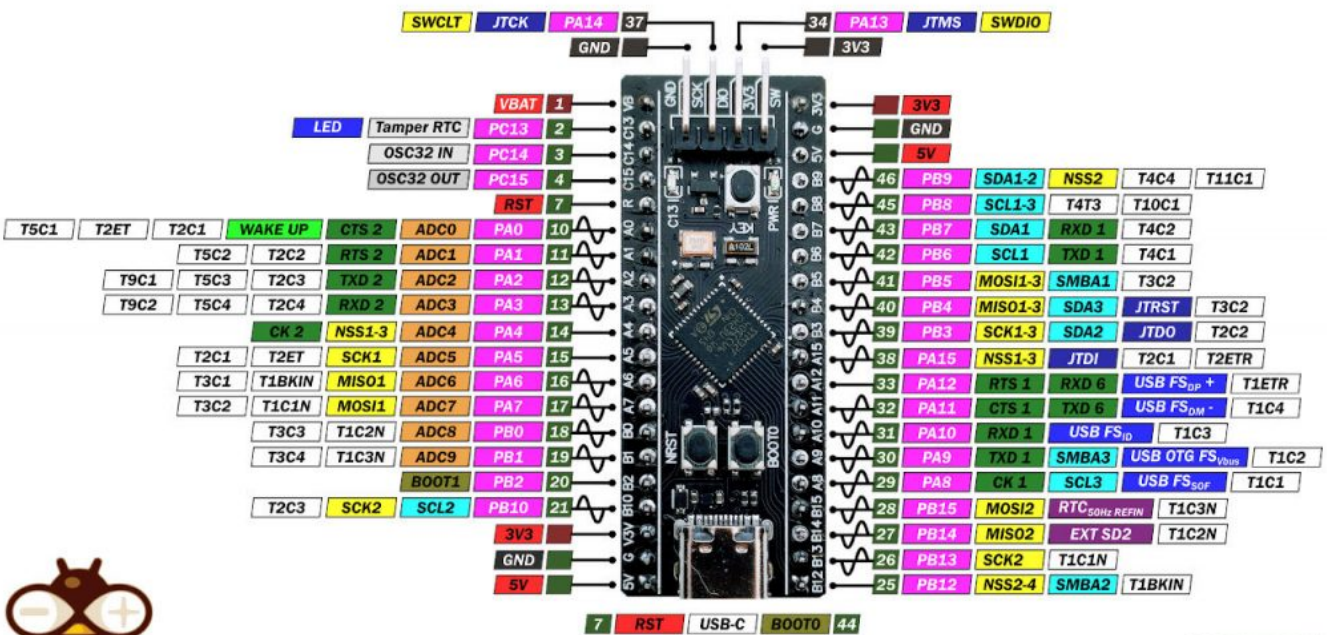
# STM32F103C8 PINOUT



www.mischianti.org (CC) BY-NC-ND



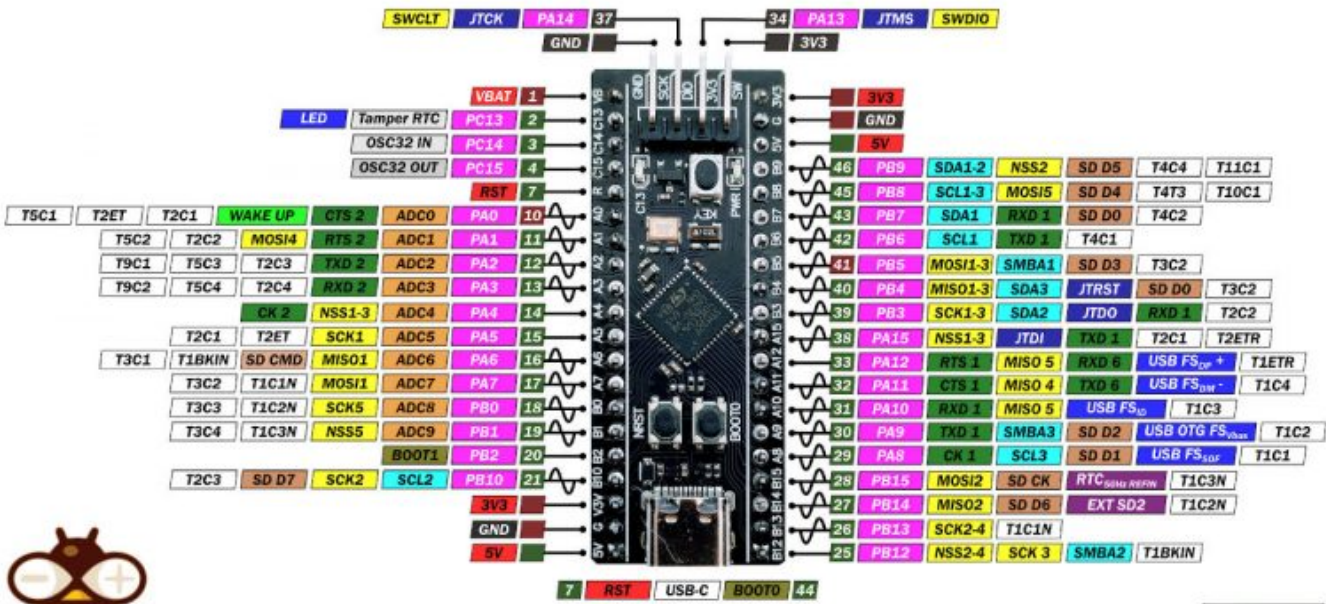
# WeAct STM32F401 PINOUT



www.mischianti.org



# WeAct STM32F411 PINOUT



www.mischianti.org



From: <https://kornequipped.com/mywiki/> - KornEquipped

Permanent link: [https://kornequipped.com/mywiki/doku.php?id=stm\\_pinouts](https://kornequipped.com/mywiki/doku.php?id=stm_pinouts)

Last update: 2026/01/31 12:46

