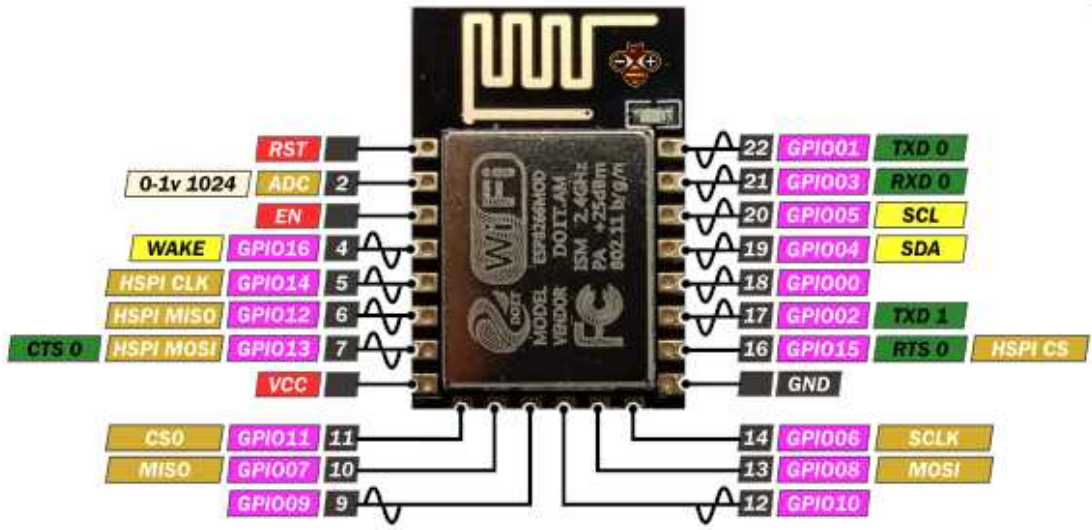


ESP-12 E PINOUT



www.mischianti.org

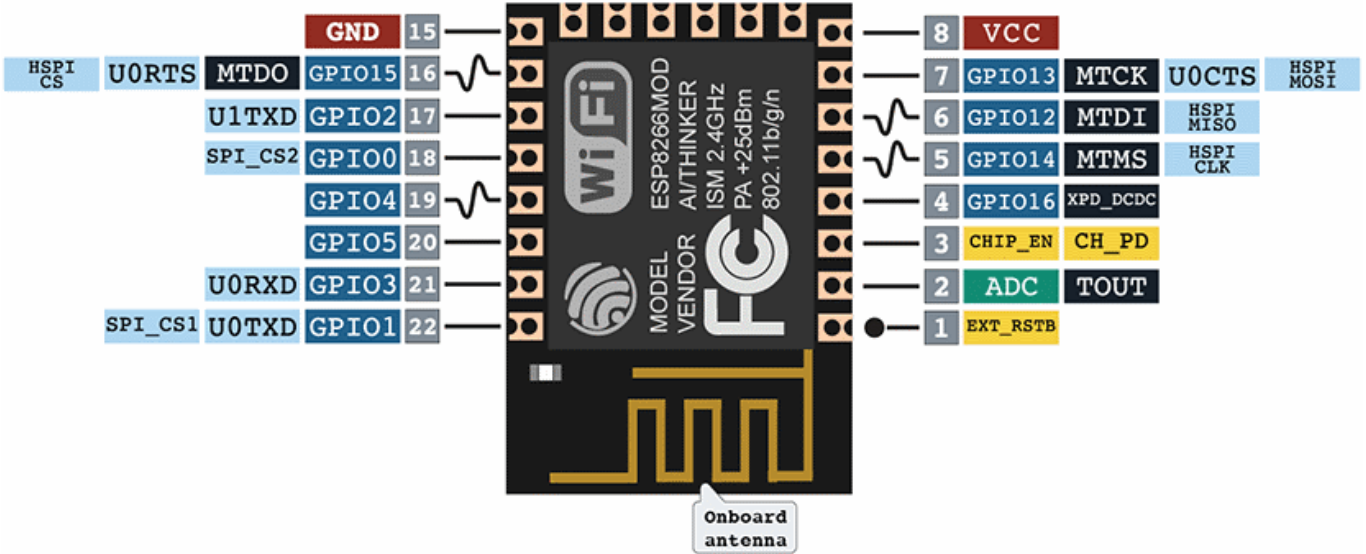
ESP-12E PINOUT

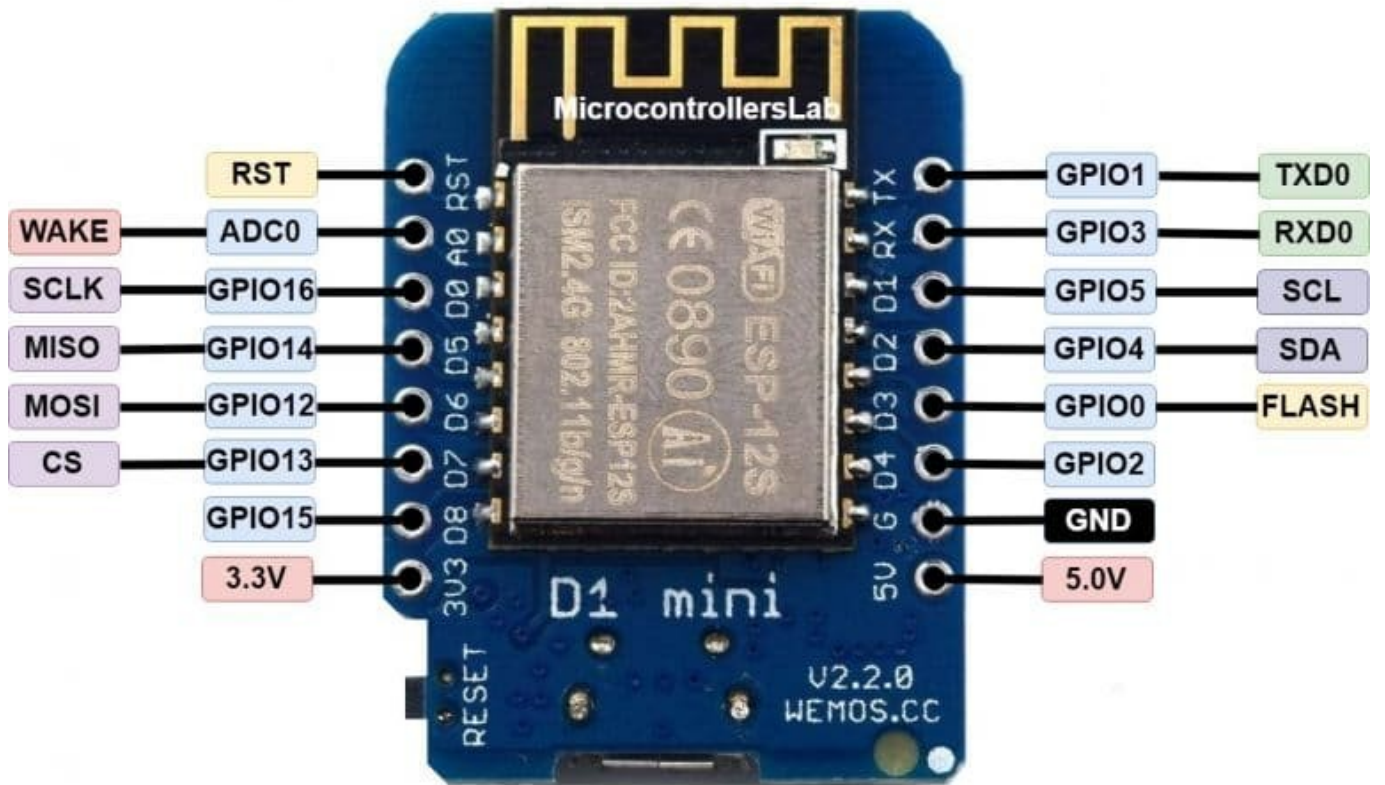
■ POWER	■ SP. FUNCTION(S)
■ I/O	■ COMM. INTERFACE
■ ADC	■ PIN NUMBER
■ CONTROL	PWM
■ N/C	

NOTES:

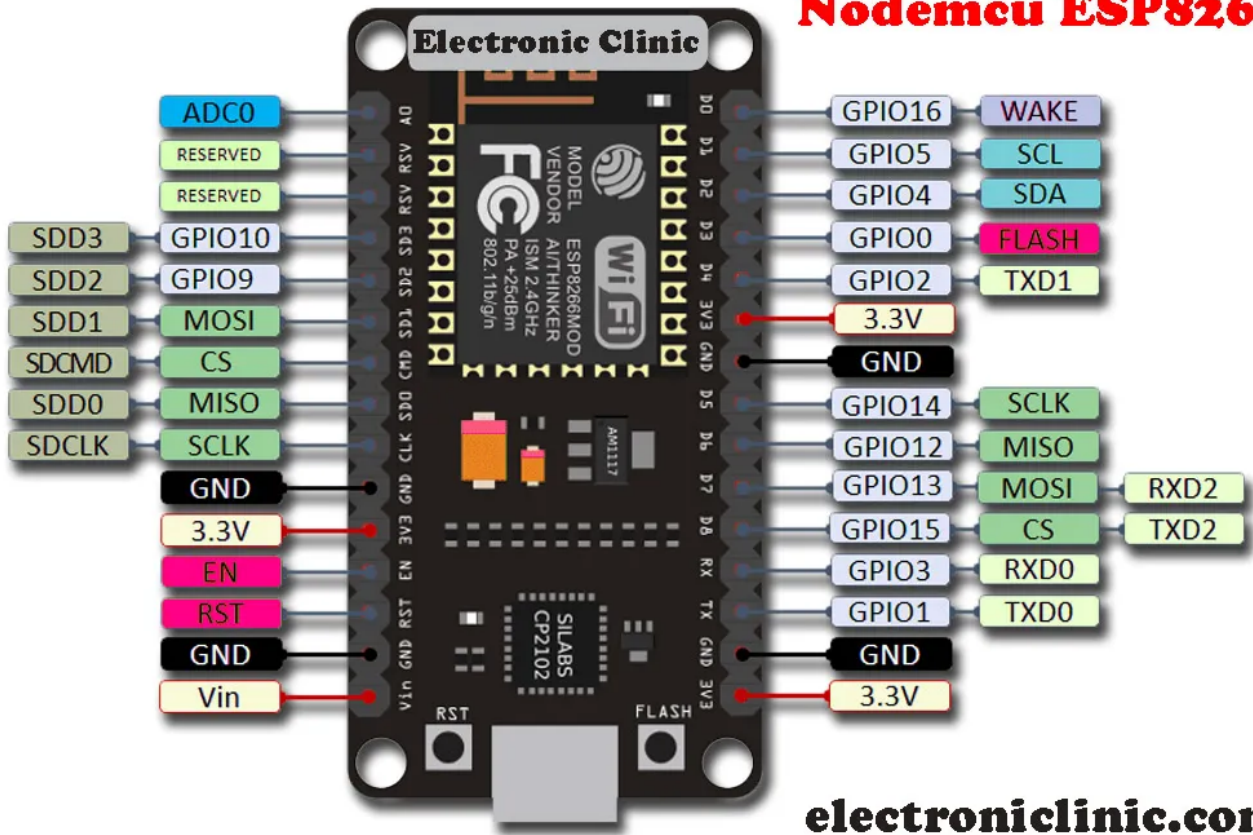
- ▲ Typ. pin current 6mA (Max. 12mA)
- ▲ For sleep mode, connect GPIO16 and EXT_RSTB. On wakeup, GPIO16 will output LOW for system reset.
- ▲ On boot/reset/wakeup, keep GPIO15 LOW and GPIO2 HIGH.

14	GPIO6	SDIO_CLK	SPI_CLK	U1RXD
13	GPIO8	SDIO_DATA1	SPI_MOSI	HSPWP
12	GPIO10	SDIO_DATA3	SPIWP	HSPHLD
11	GPIO9	SDIO_DATA2	SPIHLD	
10	GPIO7	SDIO_DATA0	SPI_MISO	
9	GPIO11	SDIO_CMD	SPI_CS0	

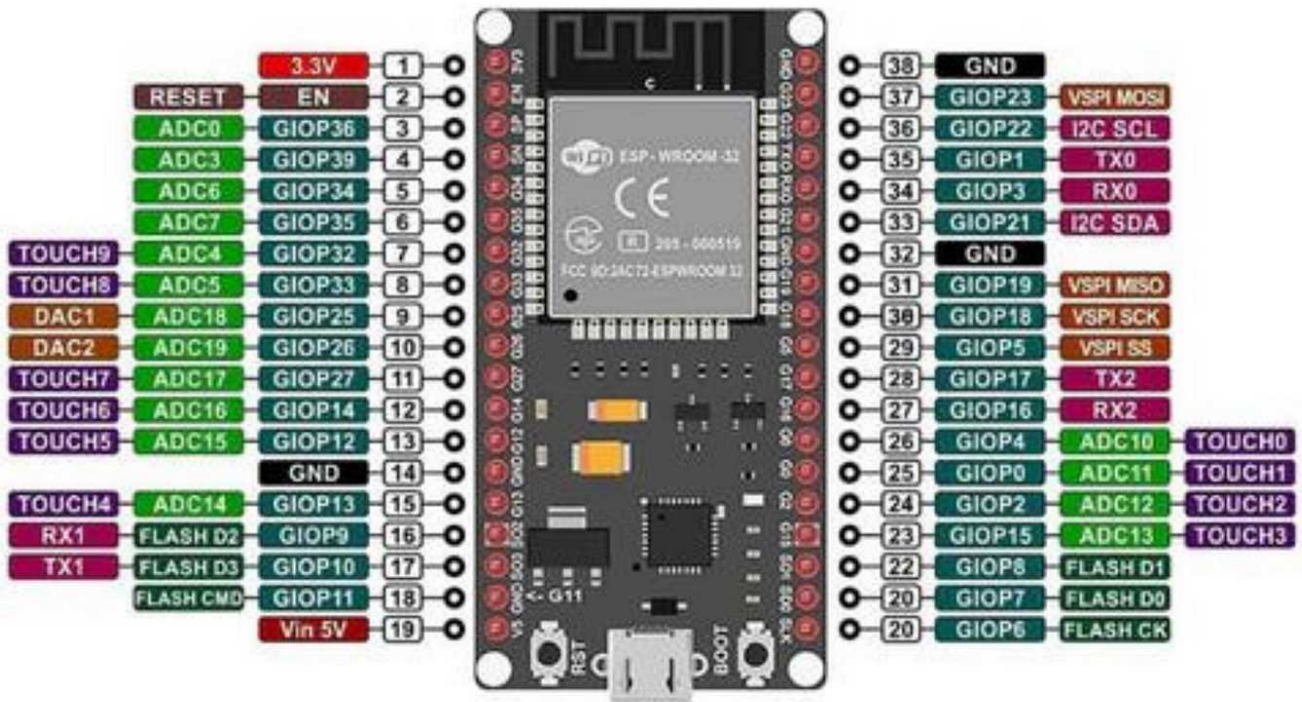




Nodemcu ESP8266



electronicclinic.com



From:
<https://kornequipped.com/mywiki/> - KornEquipped

Permanent link:
<https://kornequipped.com/mywiki/doku.php?id=esp-12>

Last update: **2026/01/31 12:58**

